

**NOTES:**

- PLACE BOTTOM EDGE OF FENCE INTO 6" DEEP TRENCH AND BACKFILL IMMEDIATELY.
- POSTS SHALL BE 4.0' ON CENTER DRIVEN 2.0' INTO THE GROUND.
- POSTS SHALL BE 2" x2" AND BE MADE OF PINE, HARDWOOD, OR STEEL. MINIMUM LENGTH TO BE 4.5'.
- SILT FENCE SHALL CONFORM TO MnDOT 3886, TYPE B.
- FENCING SHALL BE PLACED ALONG CONTOURS OR AS DIRECTED BY THE ENGINEER.

DESIGN:	DATE: 3-08-07
DRAWN:	
REVISIONS	

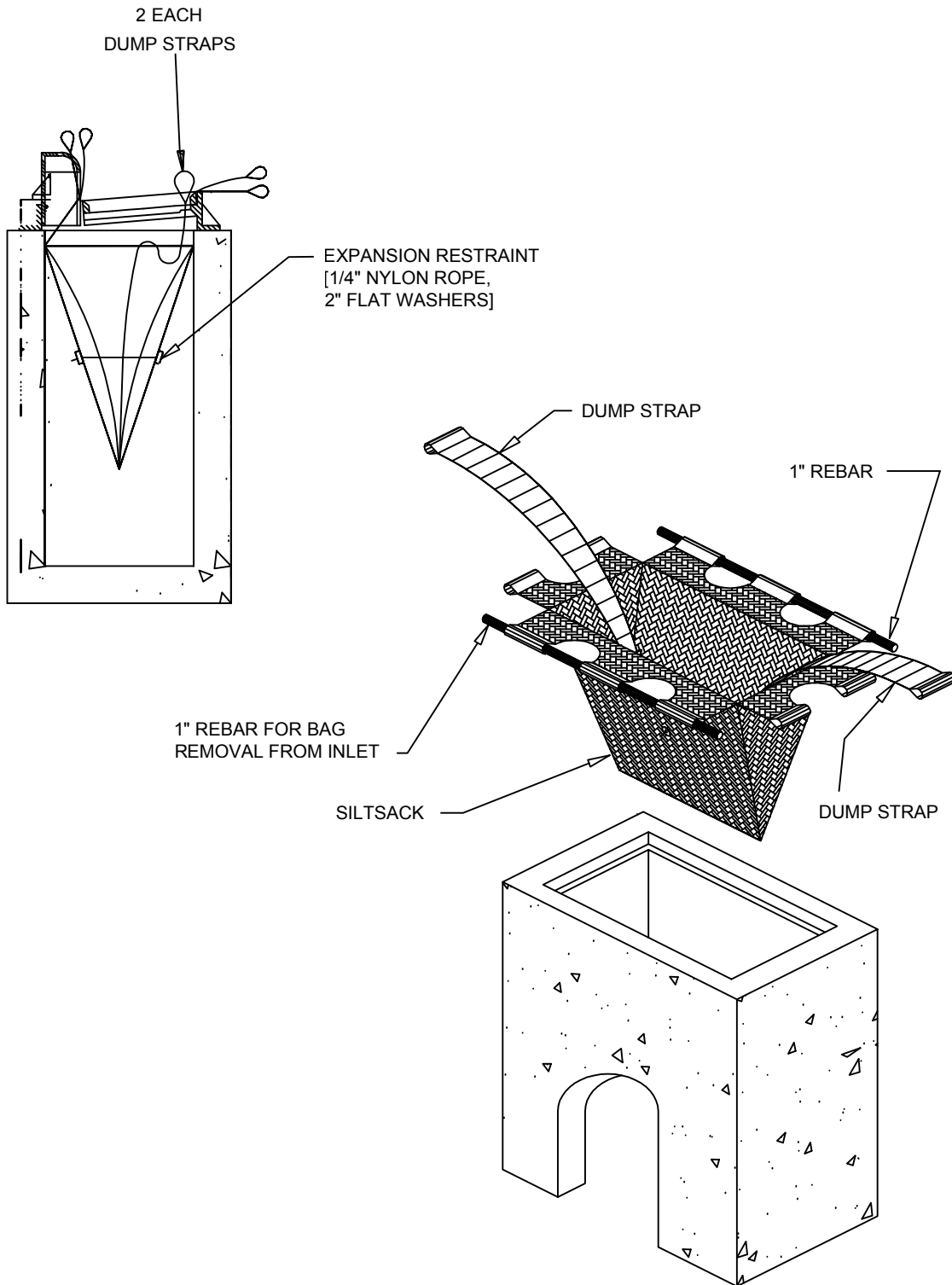


ENGINEERING DEPARTMENT

**EROSION CONTROL FENCE**

PLATE NUMBER

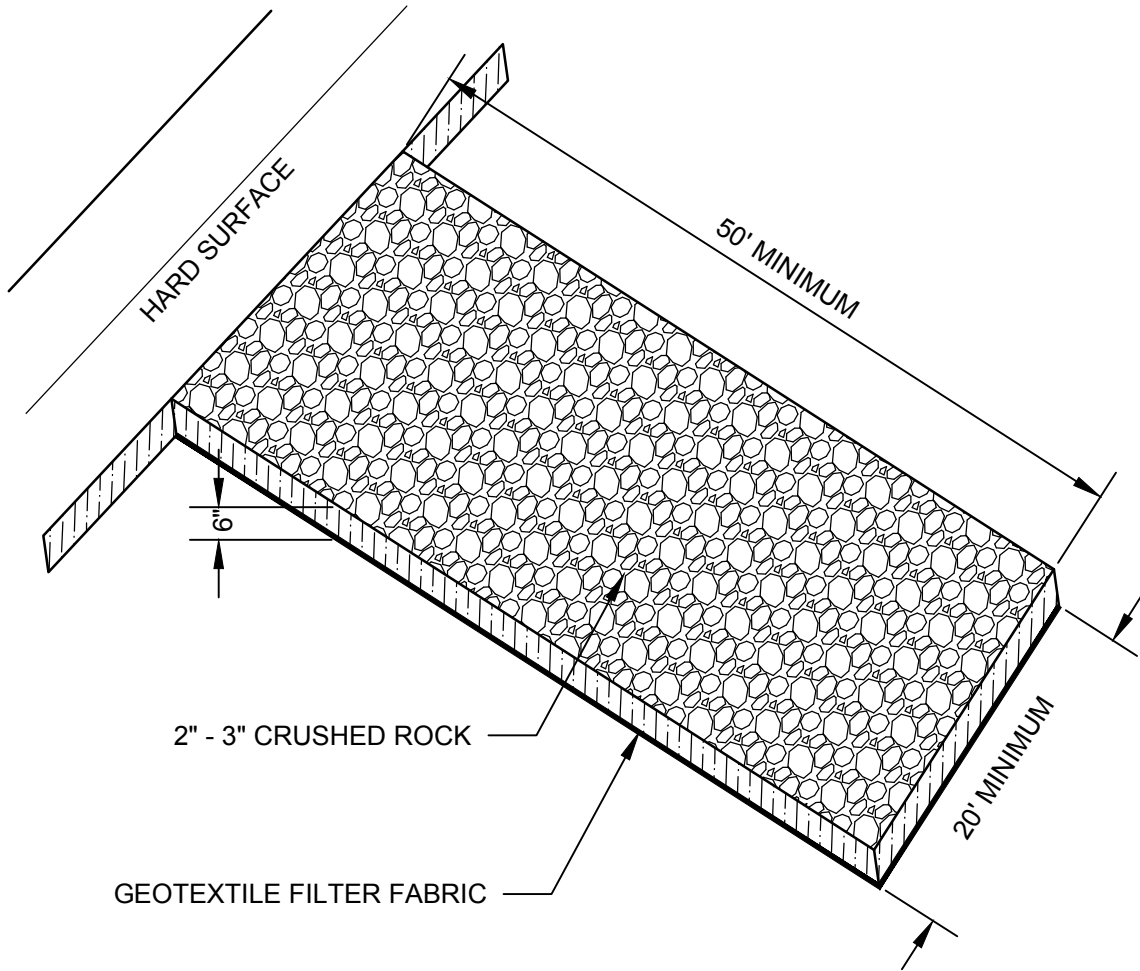
EC-1



DESIGN:	DATE:
DRAWN:	
REVISIONS	

**ROSEVILLE** ENGINEERING DEPARTMENT  
**INLET PROTECTION**  
**SEDIMENT FILTER SACK**

PLATE NUMBER
EC-2



DESIGN:	DATE: 8-21-13
DRAWN:	
REVISIONS	

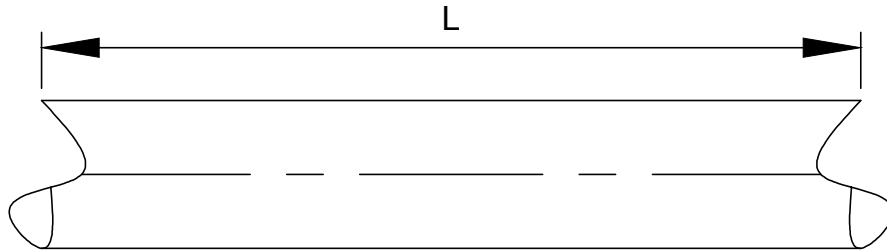


ENGINEERING DEPARTMENT

**ROCK CONSTRUCTION ENTRANCE**

PLATE NUMBER

EC-3

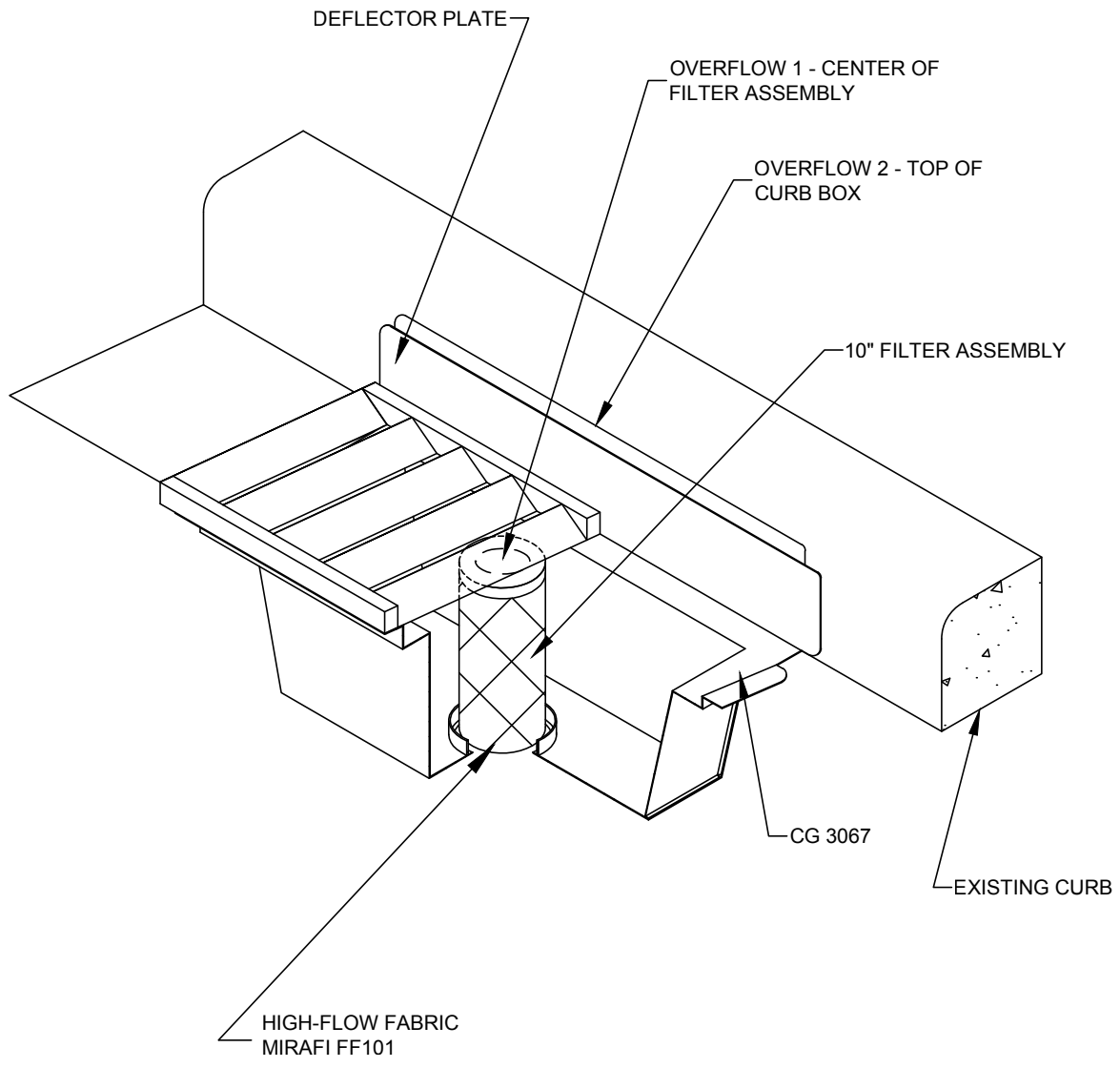


BIOROLLS OR APPROVED EQUIVALENT EROSION CONTROL INLET PROTECTION TYPE A.

NOTES

- INSTALL ACCORDING TO MANUFACTURER INSTRUCTION UNLESS DIRECTED BY ENGINEER.
- ALL CATCH BASIN SIDES MUST HAVE PERIMETER CONTROL INSTALLED PER ENGINEER APPROVAL .
- (L) LENGTH OF INSTALLED PERIMETER CONTROL MUST BE APPROVED BY ENGINEER

DESIGN:	DATE:		PLATE NUMBER
DRAWN:			
REVISIONS	02-08-2018	<h2>INLET PROTECTION TYPE A</h2>	EC-4



DESIGN:	DATE:			
DRAWN:				
REVISIONS	02	08	2018	

**ROSEVILLE** ENGINEERING DEPARTMENT

**INLET PROTECTION TYPE B**

PLATE NUMBER
EC-5