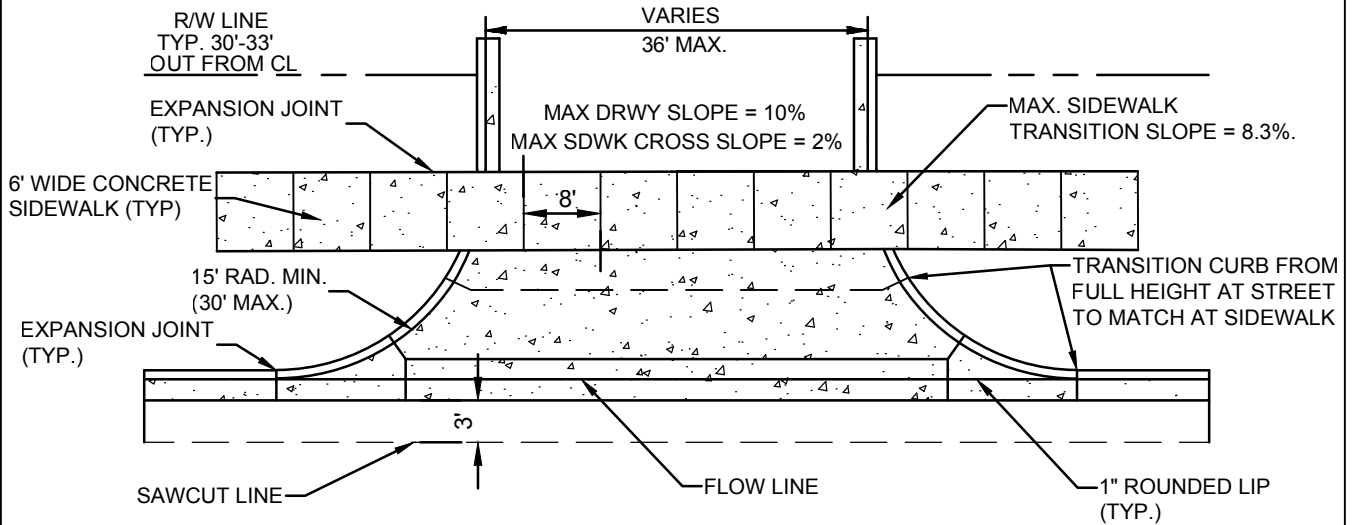


COMMERCIAL DRIVEWAY WITH BOULEVARD SIDEWALK

NOTES:

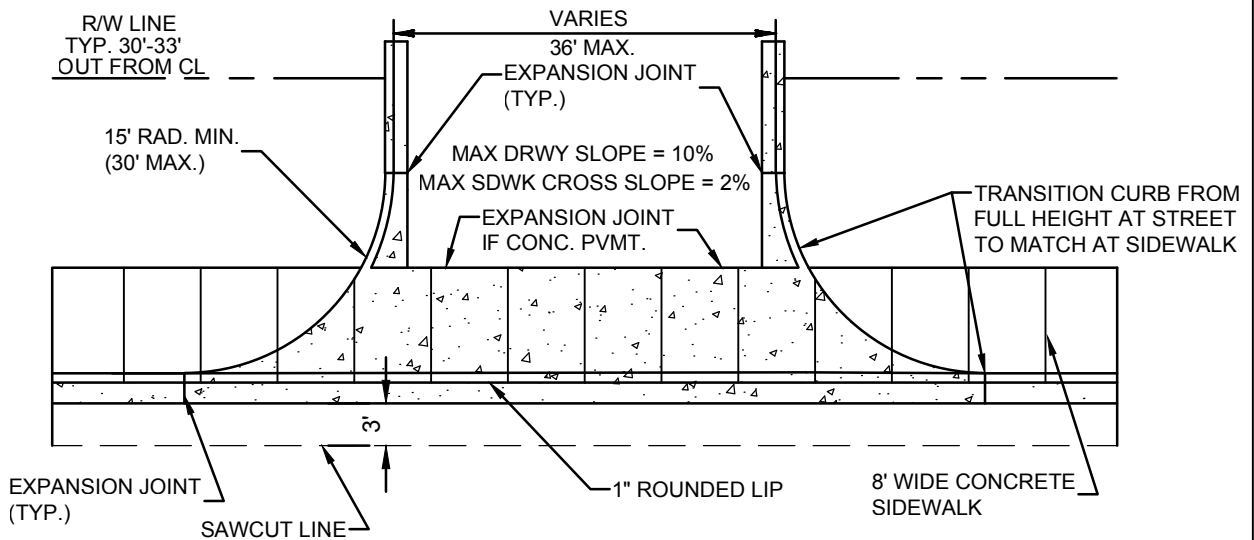
1. CONSTRUCT DRIVEWAY WITH 8" CONCRETE AND 6" AGGREGATE BASE.
2. IF BITUMINOUS, CONSTRUCT DRIVEWAY IN 2-2" LIFTS.



COMMERCIAL DRIVEWAY WITH SIDEWALK

NOTES:

1. CONSTRUCT DRIVEWAY WITH 8" CONCRETE AND 6" CLASS 5 AGGREGATE BASE.
2. IF BITUMINOUS, CONSTRUCT DRIVEWAY IN 2-2" LIFTS.



DESIGN:	DATE: 3-08-07
DRAWN:	
REVISIONS	



ENGINEERING DEPARTMENT

COMMERCIAL DRIVEWAY

PLATE NUMBER

P-2